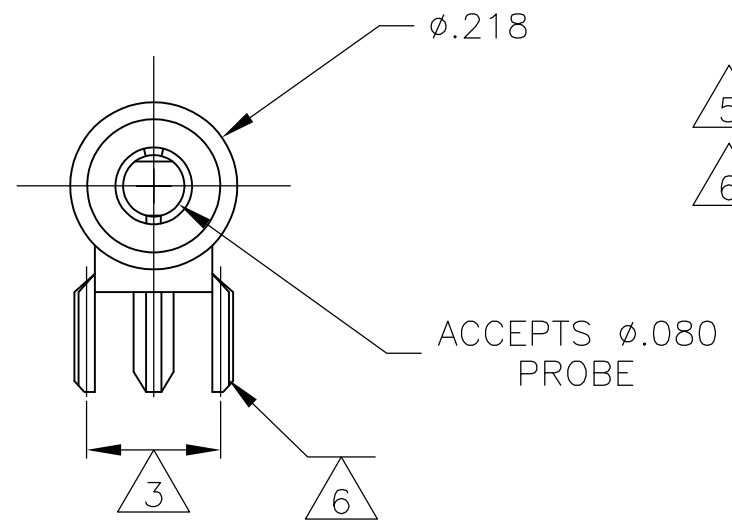
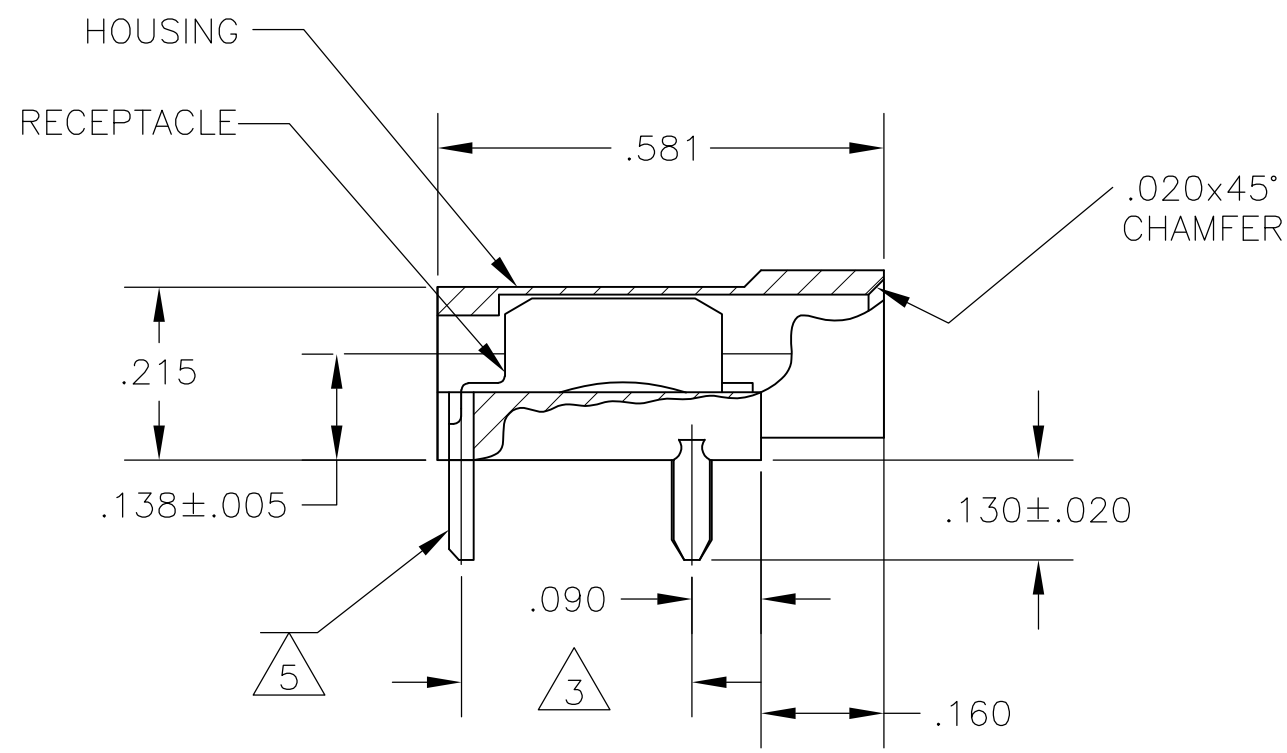
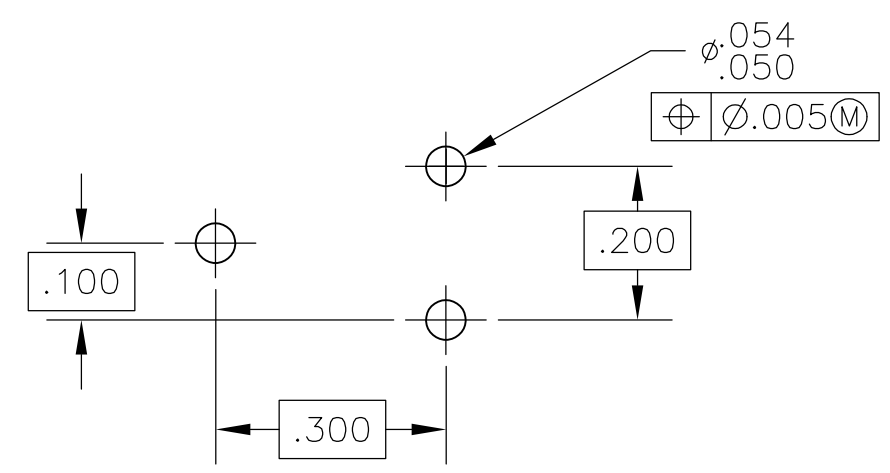


THIS DRAWING IS UNPUBLISHED. RELEASED FOR PUBLICATION
 © COPYRIGHT - BY TYCO ELECTRONICS CORPORATION. ALL RIGHTS RESERVED.

LOC	DIST	REVISIONS					
AF	50	P	LTR	DESCRIPTION	DATE	DWN	APVD
			L1	REVISED PER ECR-08-007463	11JUL08	HMR	JR



- 1 OPERATING TEMPERATURE, 105°C MAX
- 2 RETENTION FORCE-16 OZ MIN INITIALLY, 6 OZ MIN AFTER 500 CYCLES.
- 3 REFER TO MOUNTING HOLE PATTERN.
- 5 SINGLE LEG IS LIVE CIRCUIT
- 6 DOUBLE LEGS FOR MECHANICAL MOUNTING ONLY.



RECOMMENDED MOUNTING HOLE PATTERN

	GOLD	WHITE	350180-9
OBSOLETE	GOLD	GRAY	350180-8
	GOLD	VIOLET	350180-7
	GOLD	BLUE	350180-6
	GOLD	GREEN	350180-5
	GOLD	YELLOW	350180-4
	GOLD	ORANGE	350180-3
	GOLD	RED	350180-2
OBSOLETE	GOLD	BROWN	350180-1
	GOLD	BLACK	350180-0
	RECEPTACLE & LEGS FINISH	HOUSING COLOR	ASSY NO.

THIS DRAWING IS A CONTROLLED DOCUMENT.		DWN 11JUL2008 RAGHAVENDRA	Tyco Electronics Corporation Harrisburg, PA 17105-3608	
DIMENSIONS: INCHES		CHK 11JUL2008 JEFF RUTH	NAME	
TOLERANCES UNLESS OTHERWISE SPECIFIED:		APVD 11JUL2008 ED HOWARD	TEST PROBE ASSY	
<ul style="list-style-type: none"> 0 PLC ± - 1 PLC ± - 2 PLC ± .015 3 PLC ± - 4 PLC ± - ANGLES ± 1° 0' 		PRODUCT SPEC	RESTRICTED TO	
MATERIAL: HOUSING, NYLON TYPE 6/6; RECEPTACLE & LEGS, ASTM-B36 ALLOY6		FINISH	SIZE: A3	CAGE CODE: 00779
		APPLICATION SPEC	DRAWING NO: C-350180	RESTRICTED TO: -
		WEIGHT: -	SCALE: 4:1	SHEET: 1 OF 1
		CUSTOMER DRAWING	REV: L1	